

# HRP SERIES | HYDRAULIC REVERSING PUMP UNIT – HRP05/HRP11/HRP17



## FEATURES

Rugged compact construction

Easy installation

Whisper-quiet operation

Interfaces with most autopilots

The Accu-Steer **HRP05, HRP11 and HRP17** pump sets are designed to interface hydraulic steering systems with an autopilot. The output flow from the pump set determines the speed of the rudder.

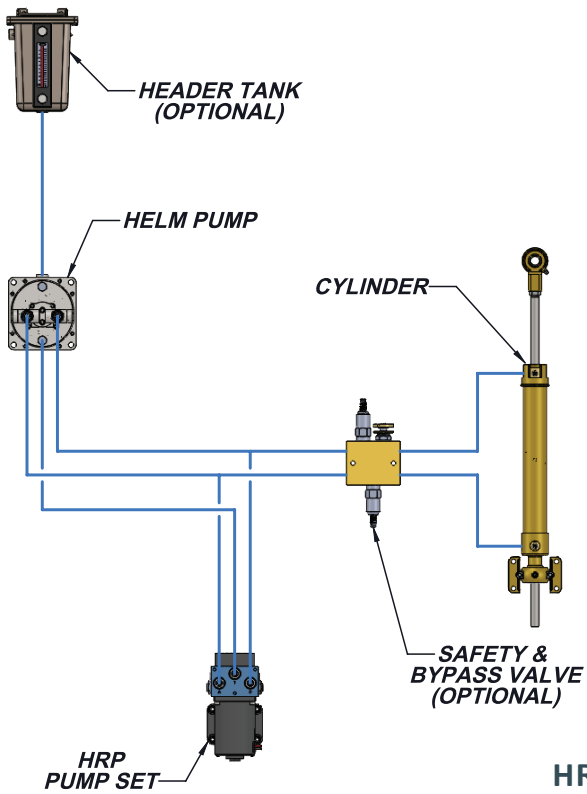
Please reference the Kobelt website for details on our **HRP35** which has an output flow of **3.5 Cu.in./Sec.**

## SPECIFICATIONS

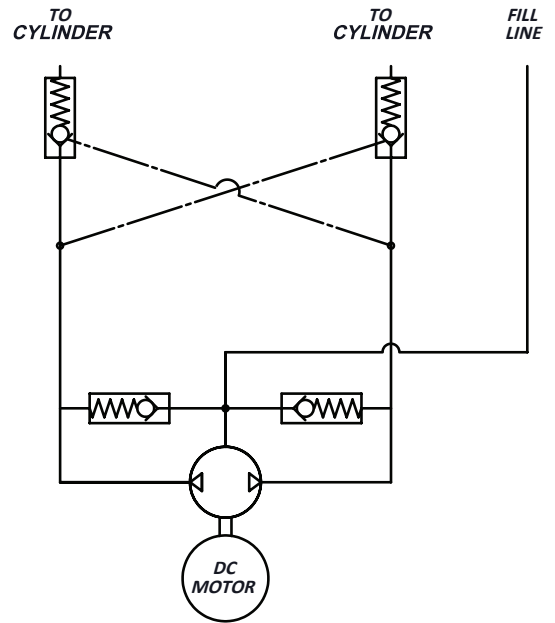
MODEL	PART NUMBER	OUTPUT (Cu.in./Sec.)	OUTPUT (Cu.cm/Sec.)	VOLTAGE (VDC)	CONTINUOUS NO LOAD (Amps)	HARDOVER MAXIMUM (Amps)	RECOMMENDED PROTECTION (Amps)
HRP05-12	600-071	0.5	8.19	12	5	22	25
HRP05-24	600-072			24	3	14	15
HRP11-12	600-081	1.0	16.39	12	6	28	30
HRP11-24	600-082			24	5	18	20
HRP17-12	600-091	1.6	26.22	12	6	34	40
HRP17-24	600-092			24	4	23	25

# SPECIFICATIONS

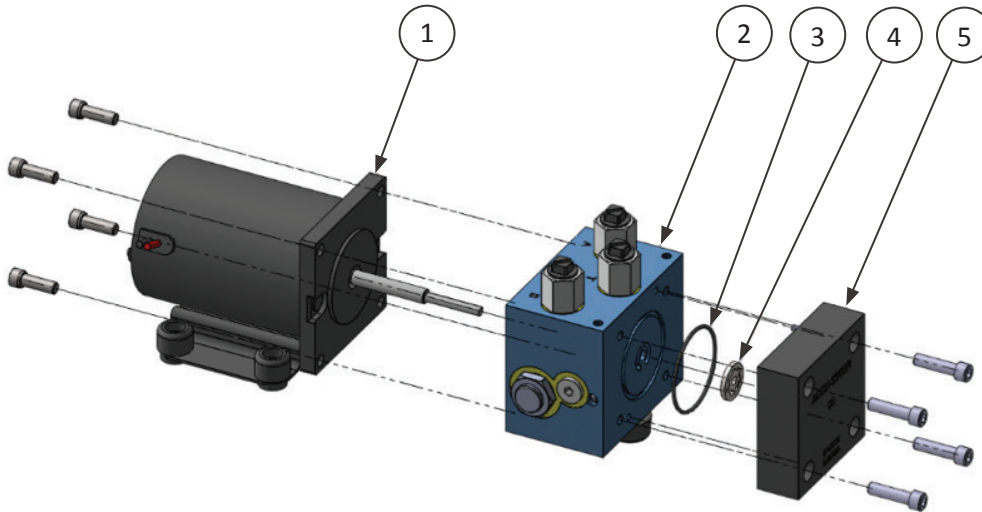
## HRP PIPING DIAGRAM



## HRP HYDRAULIC SCHEMATIC



## HRP SERIES PART LIST



ITEM	DESCRIPTION	HRP05-12	HRP05-24	HRP11-12	HRP11-24	HRP17-12	HRP17-24
1	MOTOR	7070-0010	7070-0011	7070-0010	7070-0011	7070-0010	7070-0011
2	MANIFOLD	502-005					
3	O-RING	1101-0031					
4	GEROTOR	7250-0001		7250-0002		7250-0003	
5	PUMP HOUSING	502-010		502-011		502-012	

# SPECIFICATIONS

## How to Select Your HRP Autopilot Pump Set

The autopilot rudder speed generally ranges from 11 to 14 seconds from hard-over to hard-over.

STEP #1 Determine the volume of your steering cylinder(s) in cubic inches (in<sup>3</sup>) or cubic centimeters (cm<sup>3</sup>).

STEP #2 Divide the cylinder volume by the HRP output provided in the specification table.

STEP #3 Confirm the rudder speed is within the desired range.

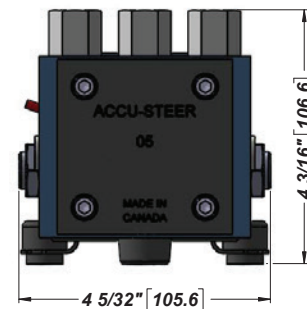
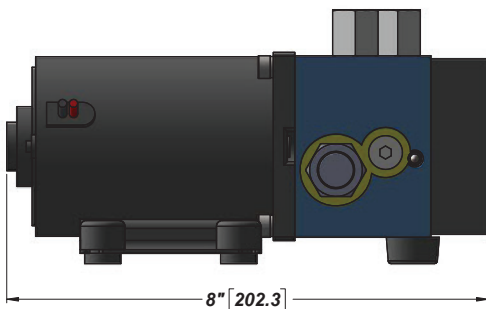
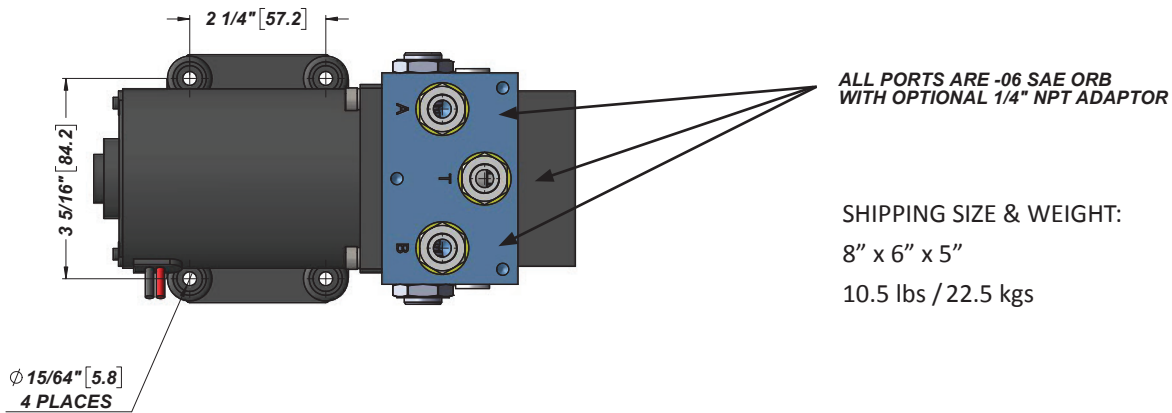
### Example:

$$\frac{\text{Steering Volume}}{\text{Flow Rate}} = \frac{20 \text{ in}^3}{1.6 \text{ in}^3/\text{s}} = 12.5 \text{ sec}$$

$$\frac{\text{Steering Volume}}{\text{Flow Rate}} = \frac{327.7 \text{ cm}^3}{26.22 \text{ cm}^3/\text{s}} = 12.5 \text{ sec}$$

HRP PUMP SET MODEL	CYLINDER VOLUME (CAPACITY)	
	CUBIC INCHES (in <sup>3</sup> )	CUBIC CENTIMETERS (cm <sup>3</sup> )
HRP05	5 to 9	82 to 147
HRP11	10 to 16	164 to 262
HRP17	16 to 30	262 to 492

## DIMENSIONS



*KOBELT* is a Canadian-based manufacturing company with over 50 years of experience developing and producing high quality products for the marine and industrial sectors. Kobelt has an extensive history of innovation and product development, and works with a wide variety of regulatory and classification requirements around the world for system certifications and approvals.

Our in-house bronze die casting and extensive use of durable materials means that Kobelt products are designed to perform in the most challenging of environments and will withstand the test of time. Their rugged construction makes them suitable for a broad range of industries. Many of our primary markets—drilling operations in the oil and gas sector, and propulsion and steering systems for the marine market—demand 24/7 reliability in extremely harsh, and often remote environments, and attest to our commitment to quality.

*Contact us today to get more information about Kobelt products and how they can benefit you. We look forward to designing a system that will meet your specific requirements.*