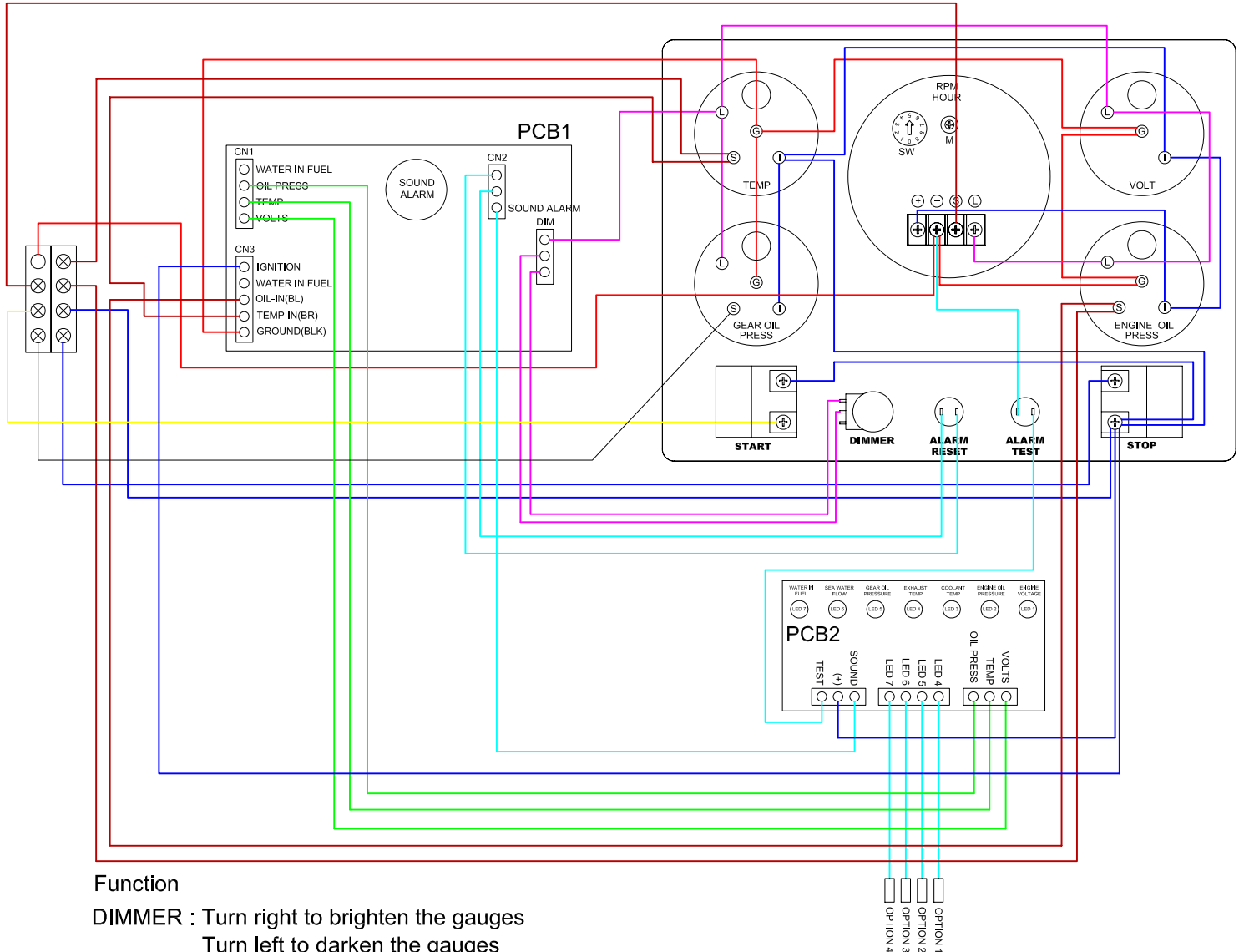


1. MODLE : CEP-100-12(B-C Series)
2. Type : cummins B and C series
3. VOLT : DC 12V
4. How to distinguish : put yellow tape on harness -> main panel

STANDARD WIRING DIAGRAM



Function

DIMMER : Turn right to brighten the gauges
Turn left to darken the gauges

ALARM RESET : Push the "ALARM RESET" button to reset the sound alarm

ALARM TEST : Push the "ALARM TEST" button to test the alarm of light and sound.

This function is activated when the "KEY" is located in the "ON" position

START : Push the button to start the engine

this function is activated when the "KEY" on the MAIN panel is located in the "ON" position

STOP : Push the button to stop the engine

WIRE SPEC

WIRE	COLOR	SIZE(mm ²)
MAIN POWER(+)	RED	3
PURPLE	PURPLE	2.5
OIL PRESS	LIGHT BLUE	1.5
COLLENT TEMP	TAN(BROWN)	1.5
GEAR OIL PRESSURE	WHITE	1.5
START CIRCUIT	YELLOW	2.5
TACOMETER	GREY	1.5
NEGATIVE(-)	BLACK	2.5

NEGATIVE(-)	○	⊗	COLLENT TEMP
TACOMETER	⊗	⊗	OIL PRESS
START CIRCUIT	⊗	⊗	PURPLE
GEAR OIL PRESSURE	⊗	⊗	MAIN POWER(+)

PANEL SET POINT

	ALARM SOUND AND ALARM LIGHT	
	DC 12V TYPE	DC 24V TYPE
COOLANT TEMP	206F ~ 208F	206F ~ 208F
ENGINE OIL PRESS	8 ~ 9 psi	8 ~ 9 psi
VOLT	9V ~10V	18V ~20V