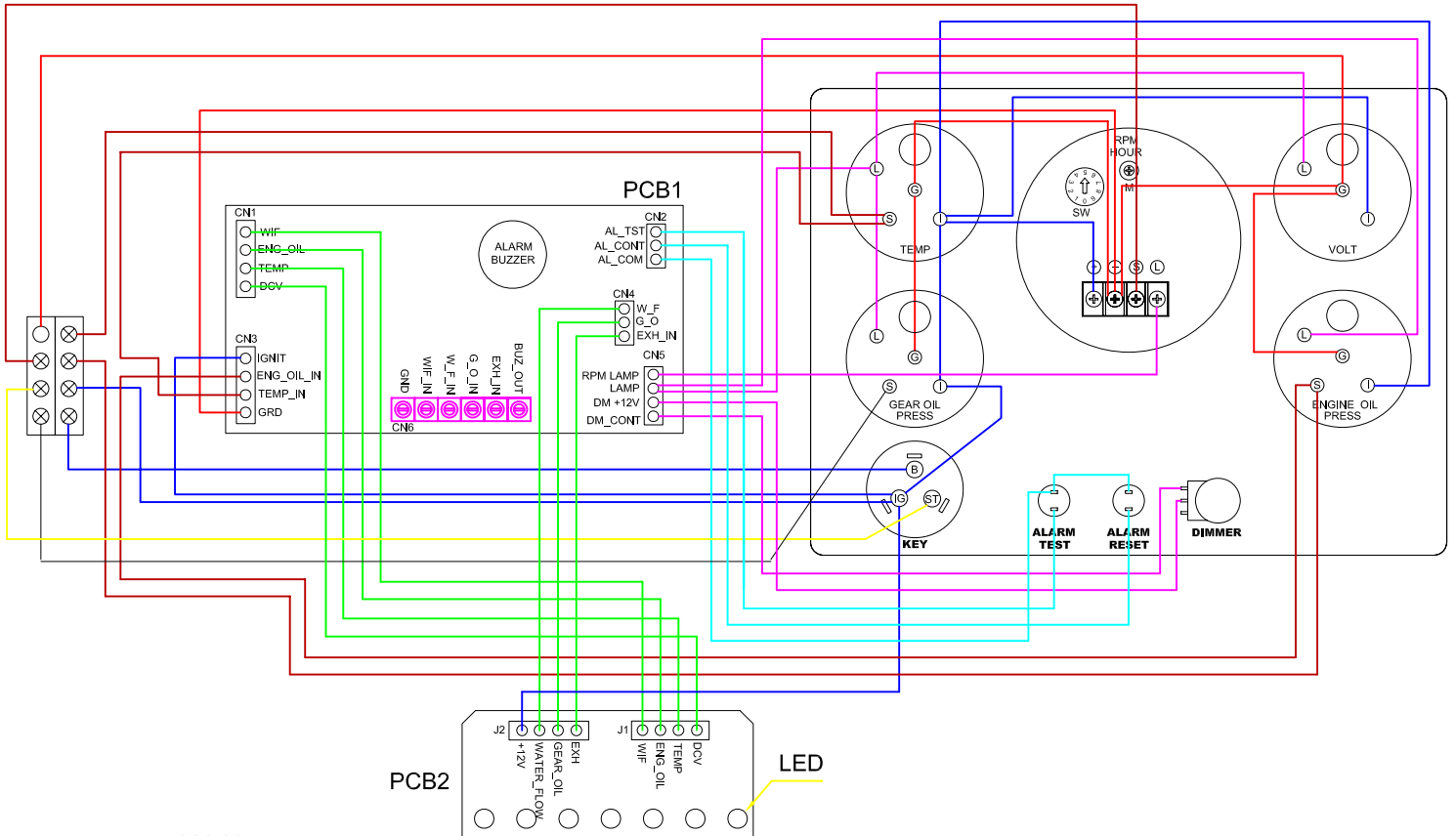


STANDARD WIRING DIAGRAM

1. MODEL : CEP-100-12(B-C Series)
2. Type : cummins B and C series
3. VOLT : DC 12V
4. How to distinguish : put yellow tape on harness -> main panel



MAIN HARNESS

Negative(-)	⊗	COOLANT TEMP
TACHOMETER	⊗	OIL PRESSURE
START SOLENOID	⊗	START MOTOR
GEAR OIL PRESSURE	⊗	MAIN POWER(+)

MAIN HARNESS SPEC

WIRE	COLOR	SIZE(AWG)
MAIN POWER(+)	RED	10
START MOTOR	PURPLE	12
OIL PRESSURE	LIGHT BLUE	16
COOLANT TEMP	BROWN	16
GEAR OIL PRESSURE	WHITE	16
START SOLENOID	YELLOW	14
TACHOMETER	GREY	16
NEGATIVE(-)	BLACK	14

OPTION ALARM MANUAL ON PCB1

