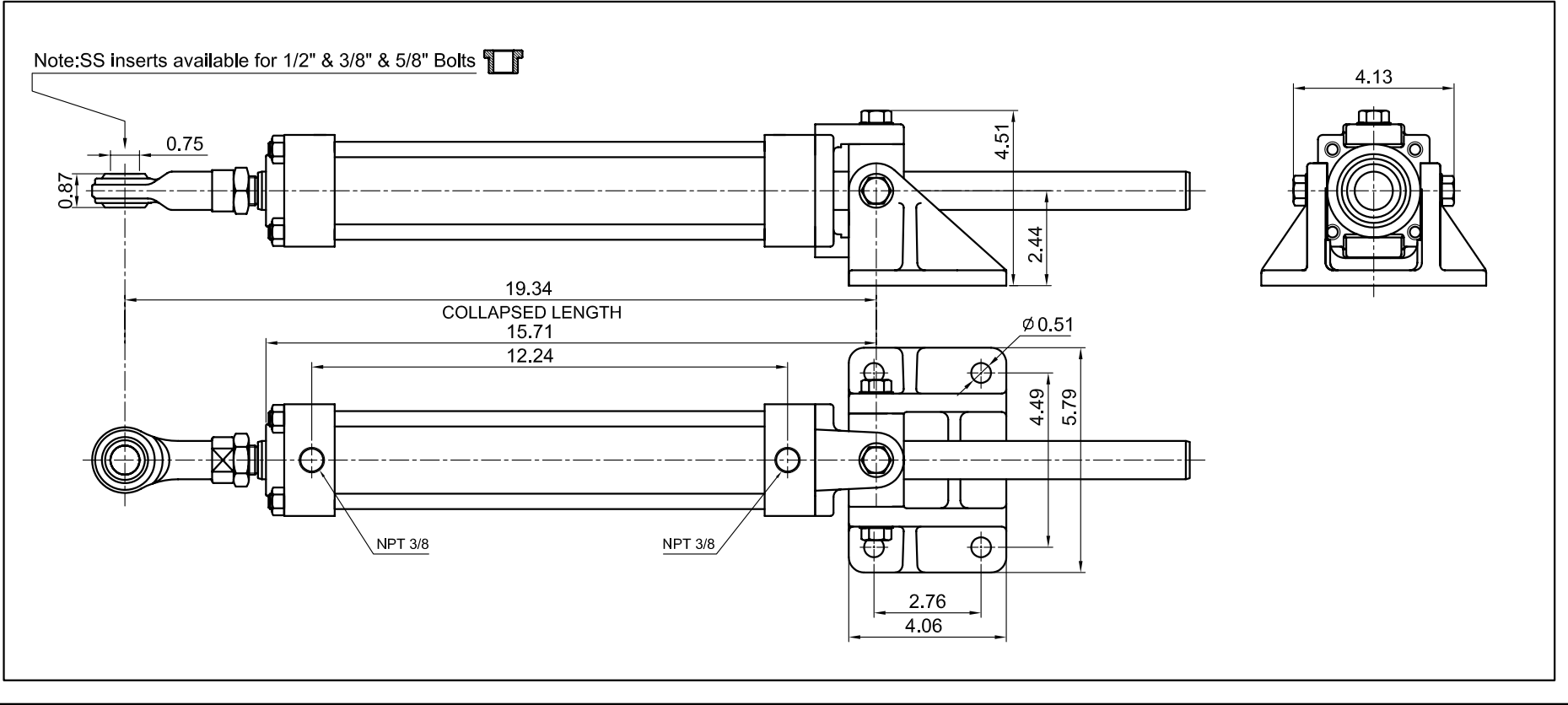
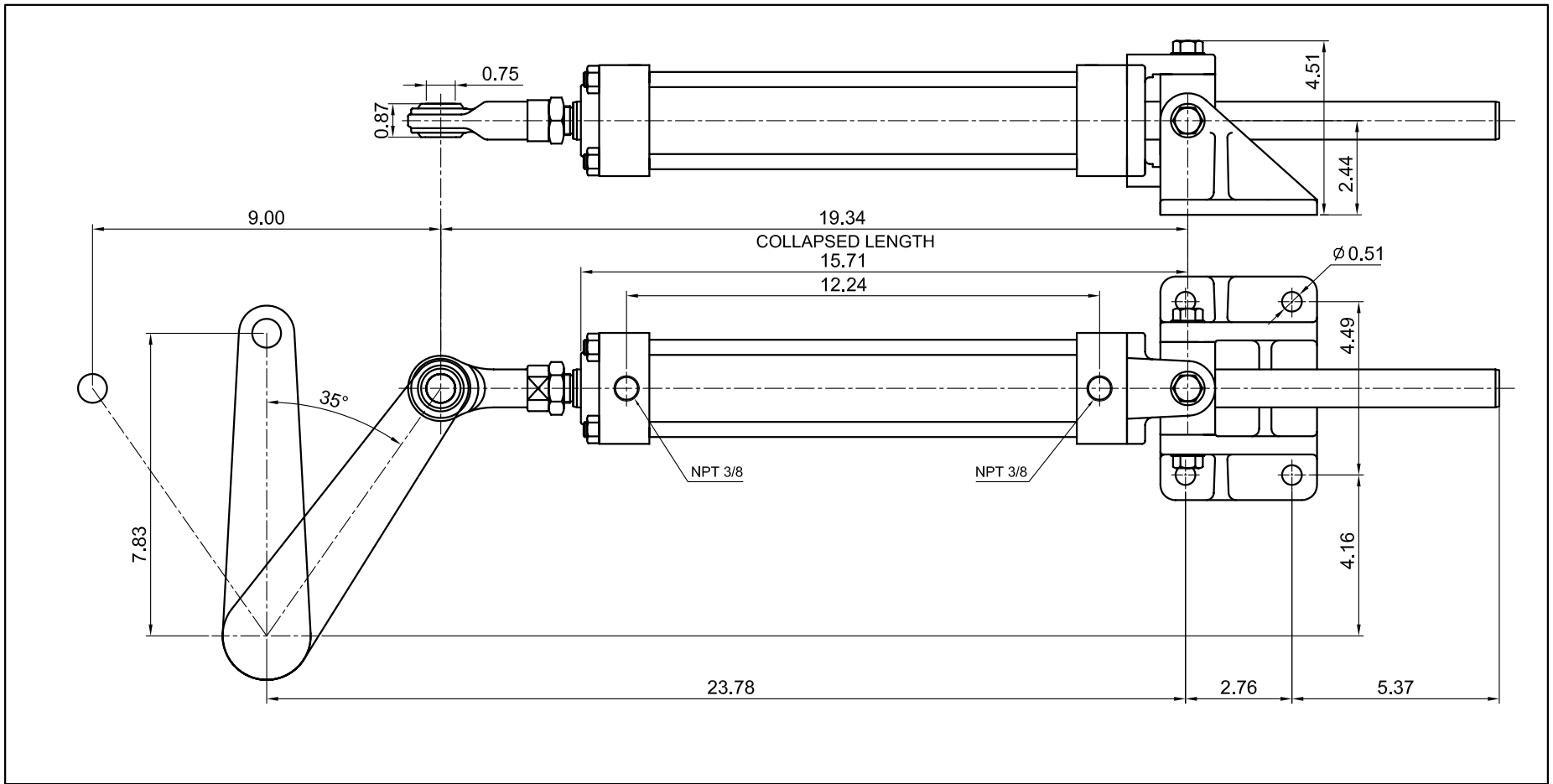


Model : HC200B-9					
Torque at 1000psi	168kg-m	1215 lb.ft	Stroke	229mm	9 inch
Cylinder Bore	50mm	2 inch	Volume	337cc	20.5 cu.in
Shaft Diameter	25mm	1 inch	Shaft Connection	SS Ball Joint (3/4"Hole)	



Model : HC200B-9 35°



Model : HC200B-9 45°

