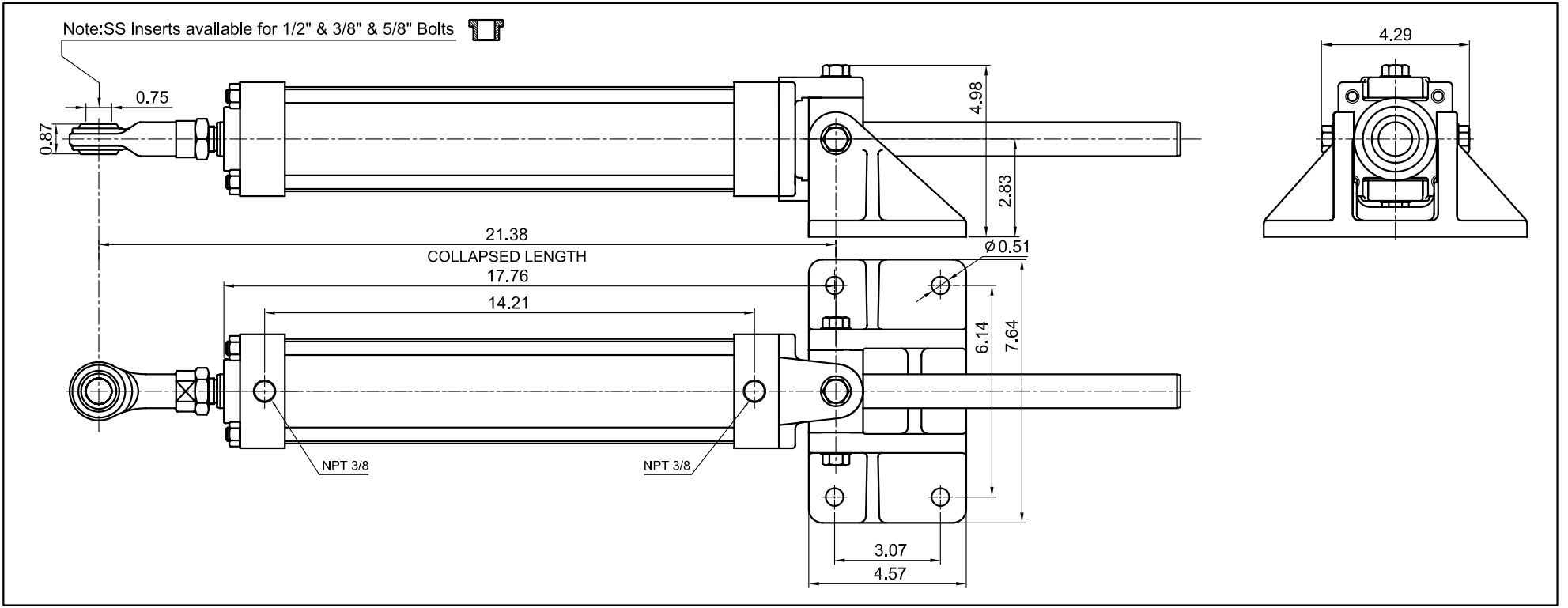
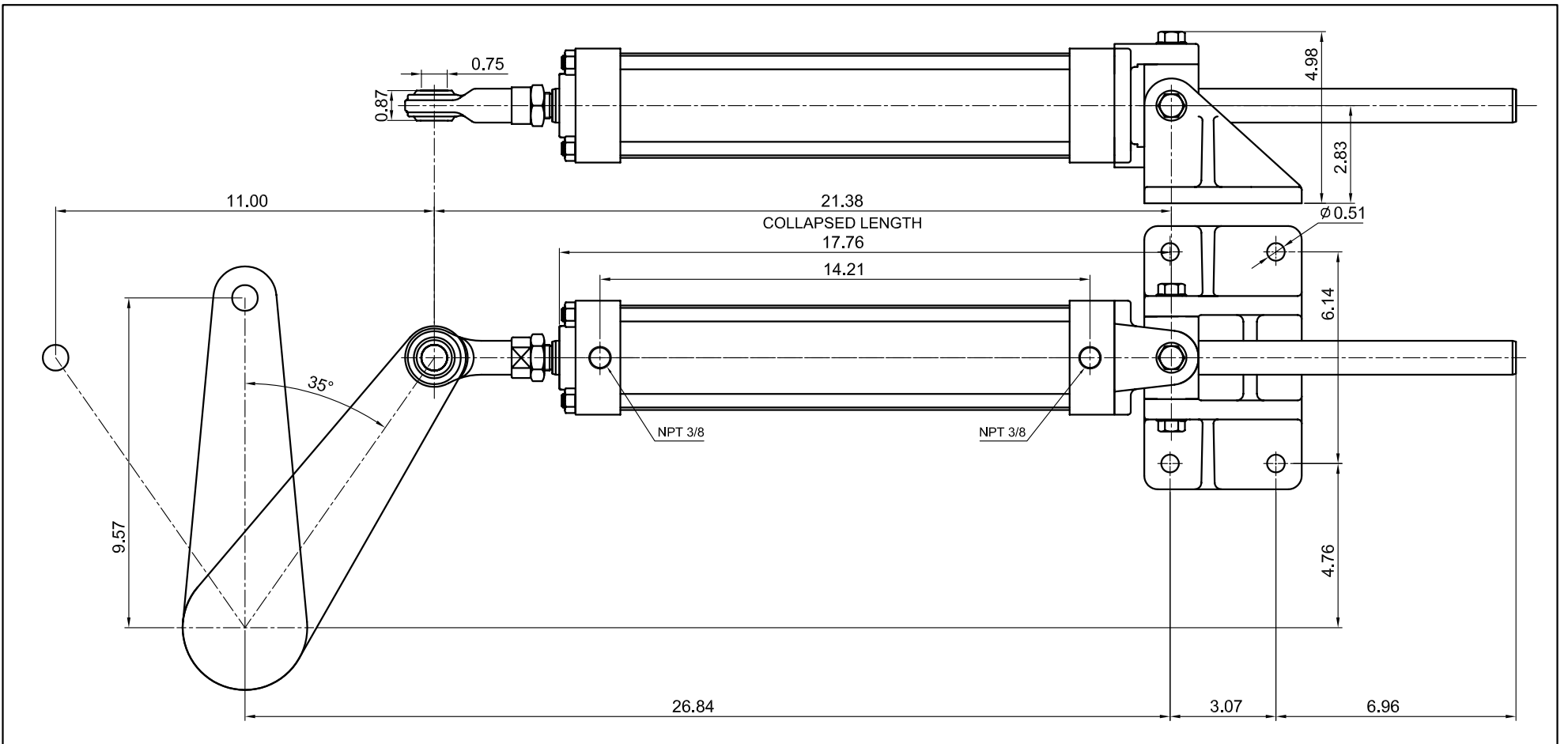


Model : HC250B-11					
Torque at 1000psi	366kg-m	2647 lb.ft	Stroke	279mm	11 inch
Cylinder Bore	63mm	2 1/2 inch	Volume	734cc	44.8 cu.in
Shaft Diameter	25mm	1 inch	Shaft Connection	SS Ball Joint (3/4" Hole)	



Model : HC250B-11 35°



Model : HC250B-11 45°

