
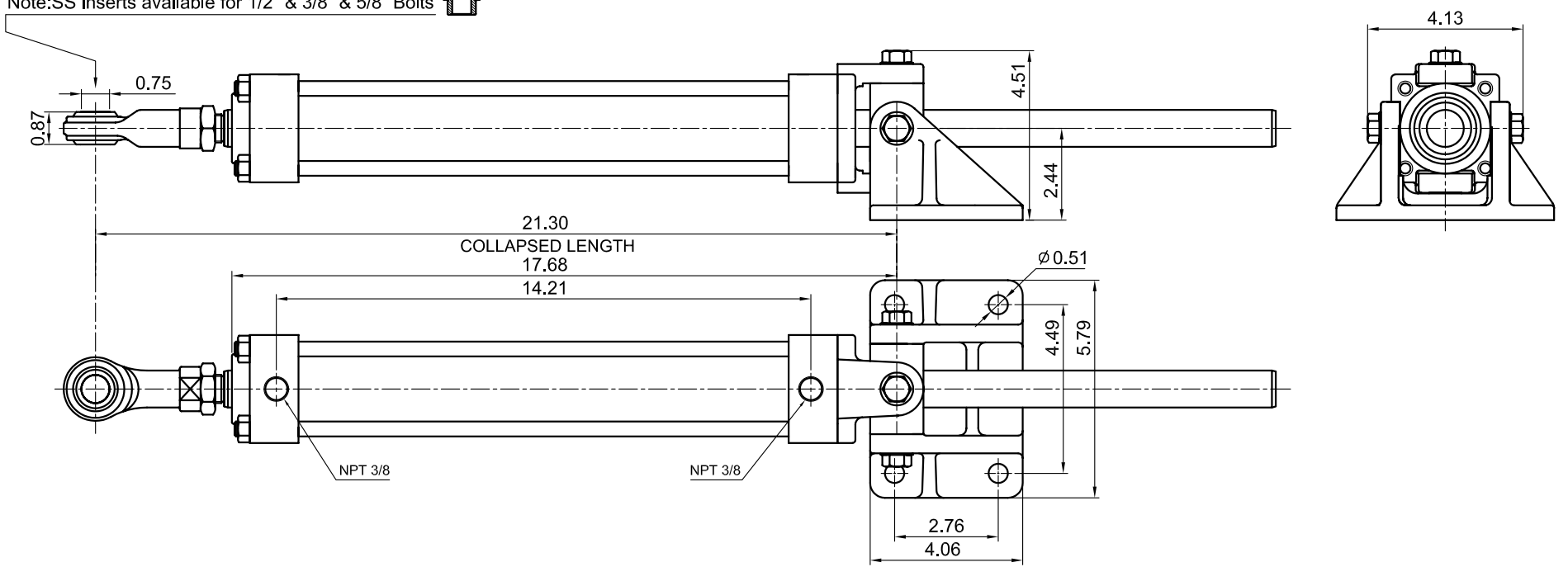
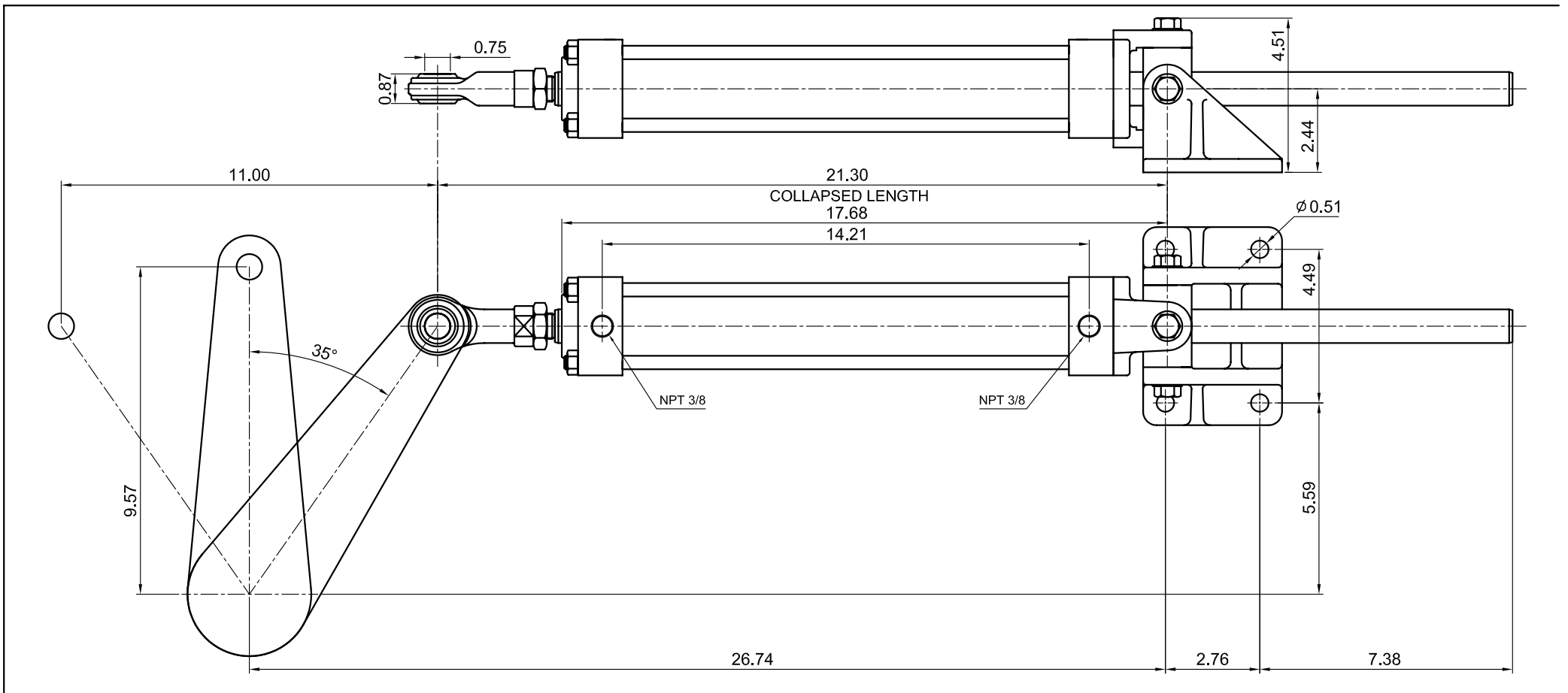


Model : HC200B-11					
Torque at 1000psi	205kg-m	1484 lb.ft	Stroke	279mm	11 inch
Cylinder Bore	50mm	2 inch	Volume	411cc	25.1 cu.in
Shaft Diameter	25mm	1 inch	Shaft Connection	SS Ball Joint (3/4"Hole)	

Note:SS inserts available for 1/2" & 3/8" & 5/8" Bolts 



Model : HC200B-11 35°



Model : HC200B-11 45°

