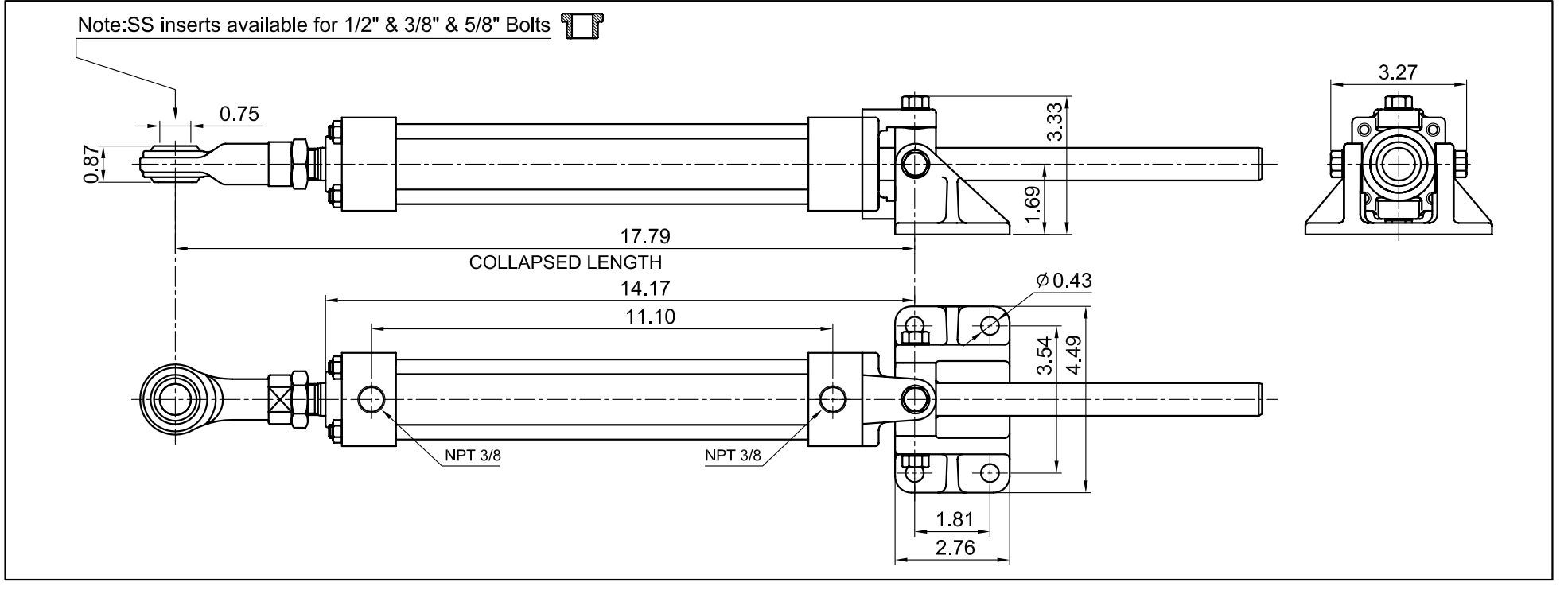
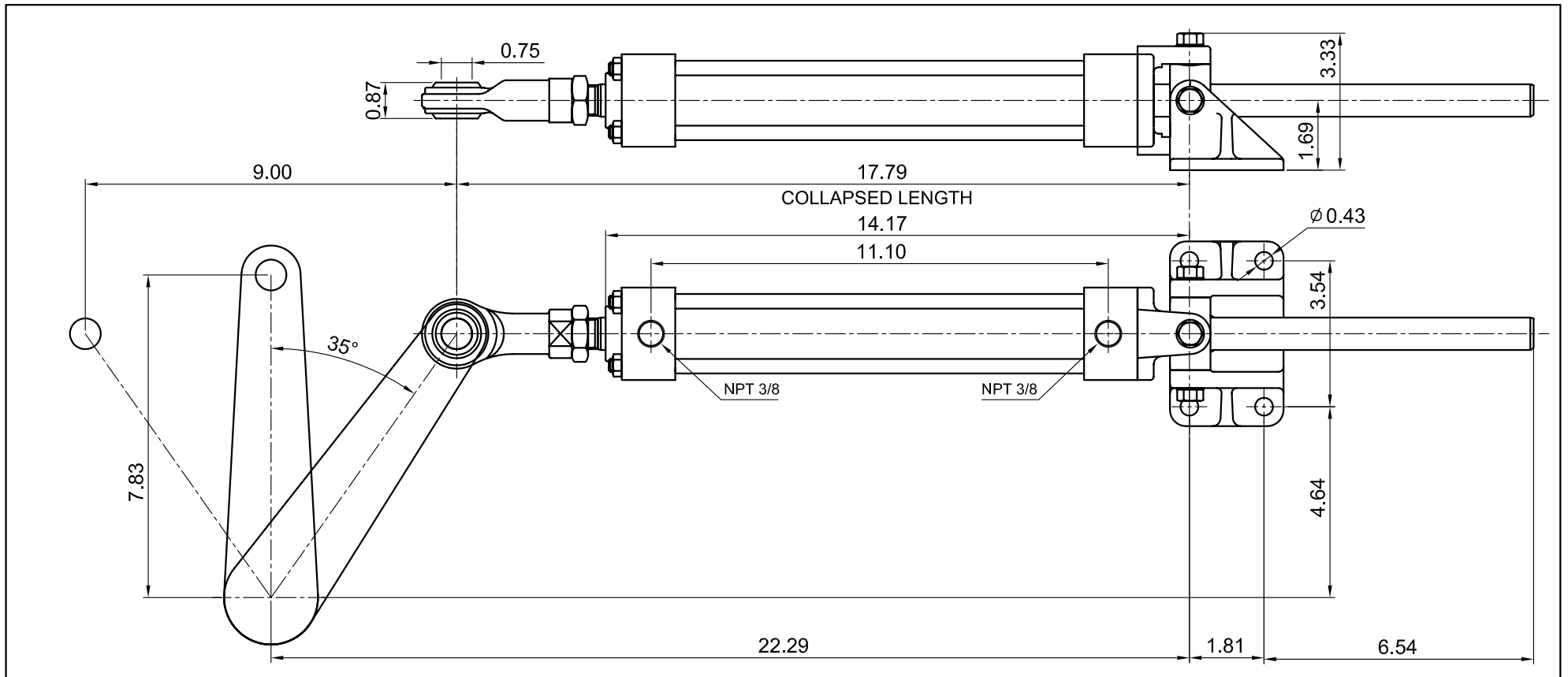


Model : HC150B-9					
Torque at 1000psi	108kg-m	778 lb.ft	Stroke	229mm	9 inch
Cylinder Bore	40mm	1 1/2 inch	Volume	215cc	13.1 cu.in
Shaft Diameter	20mm	3/4 inch	Shaft Connection	SS Ball Joint (3/4" Hole)	



Model : HC150B-9 35°



Model : HC150B-9 45°

