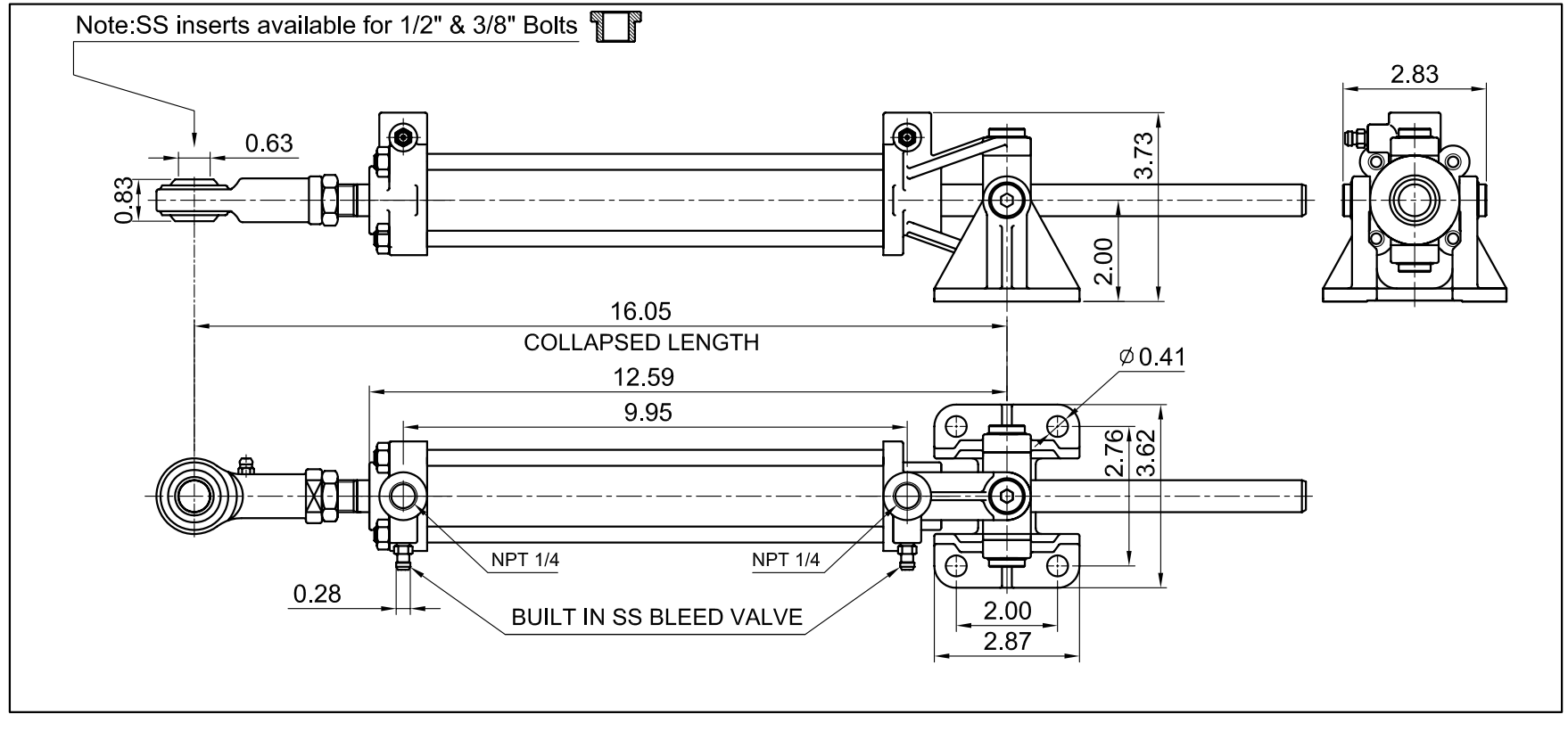
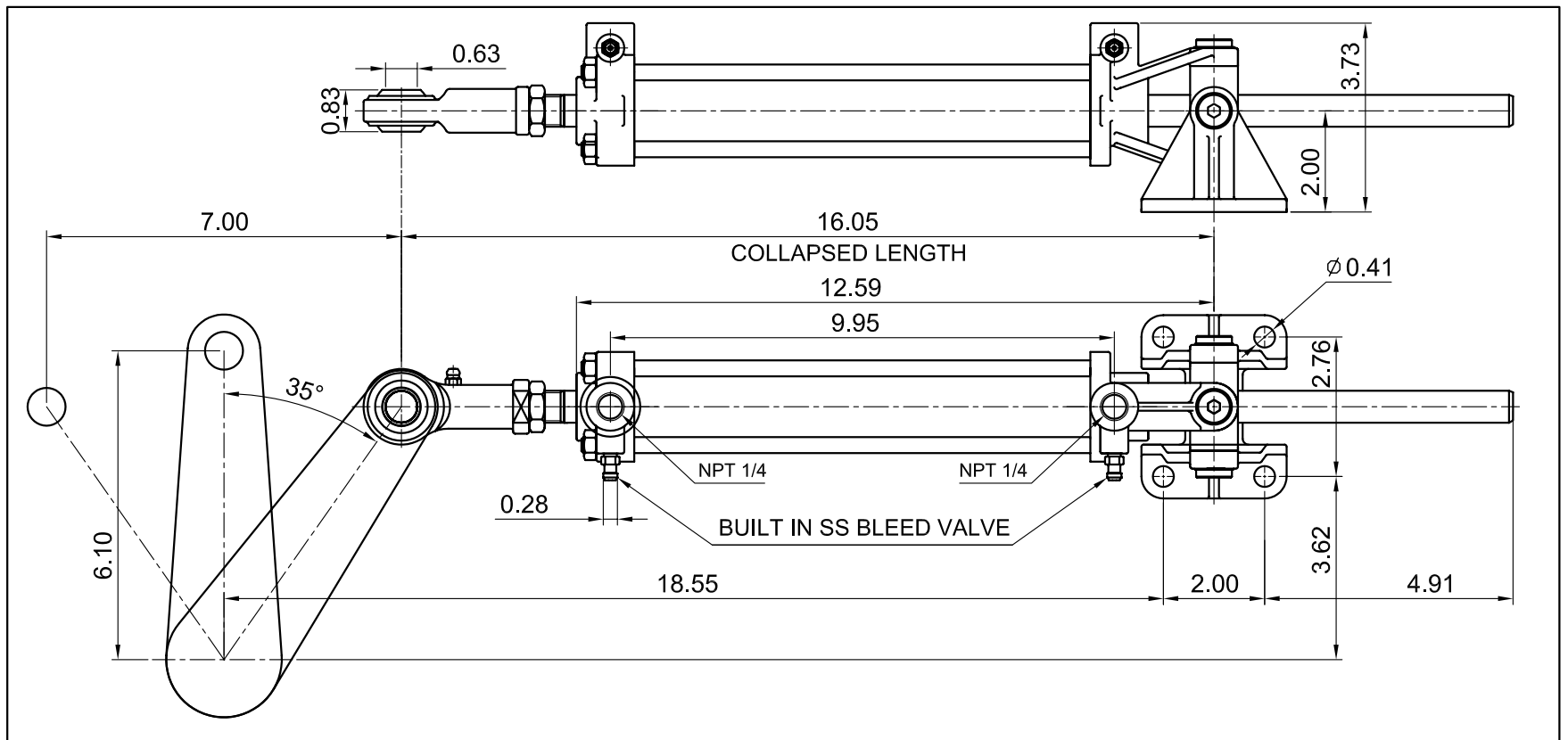


Model : HC150B-7C					
Torque at 1000psi	94kg-m	680 lb.ft	Stroke	178mm	7 inch
Cylinder Bore	40mm	1 1/2 inch	Volume	188cc	11.4 cu.in
Shaft Diameter	16mm	5/8 inch	Shaft Connection	SS Ball Joint (5/8" Hole)	



Model : HC150B-7C 35°



Model : HC150B-7C 45°

