
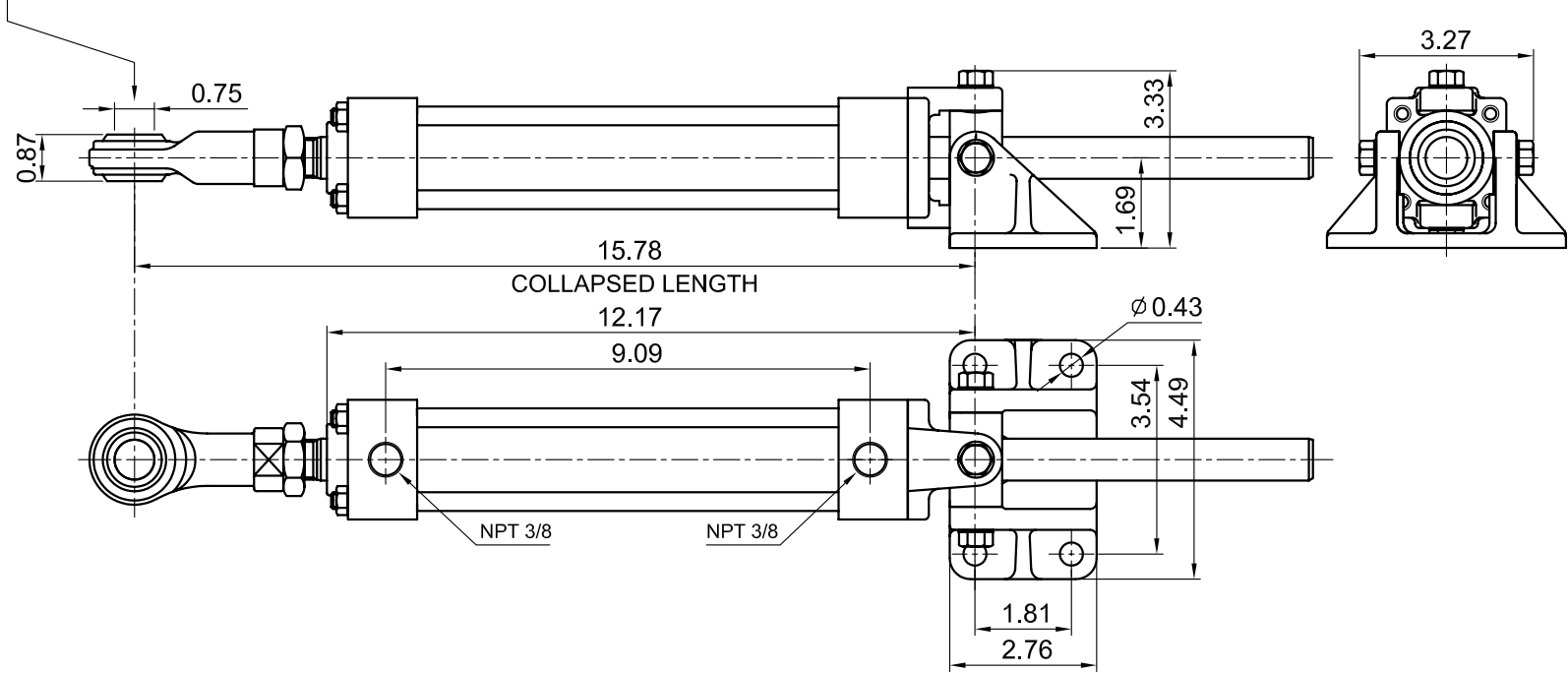
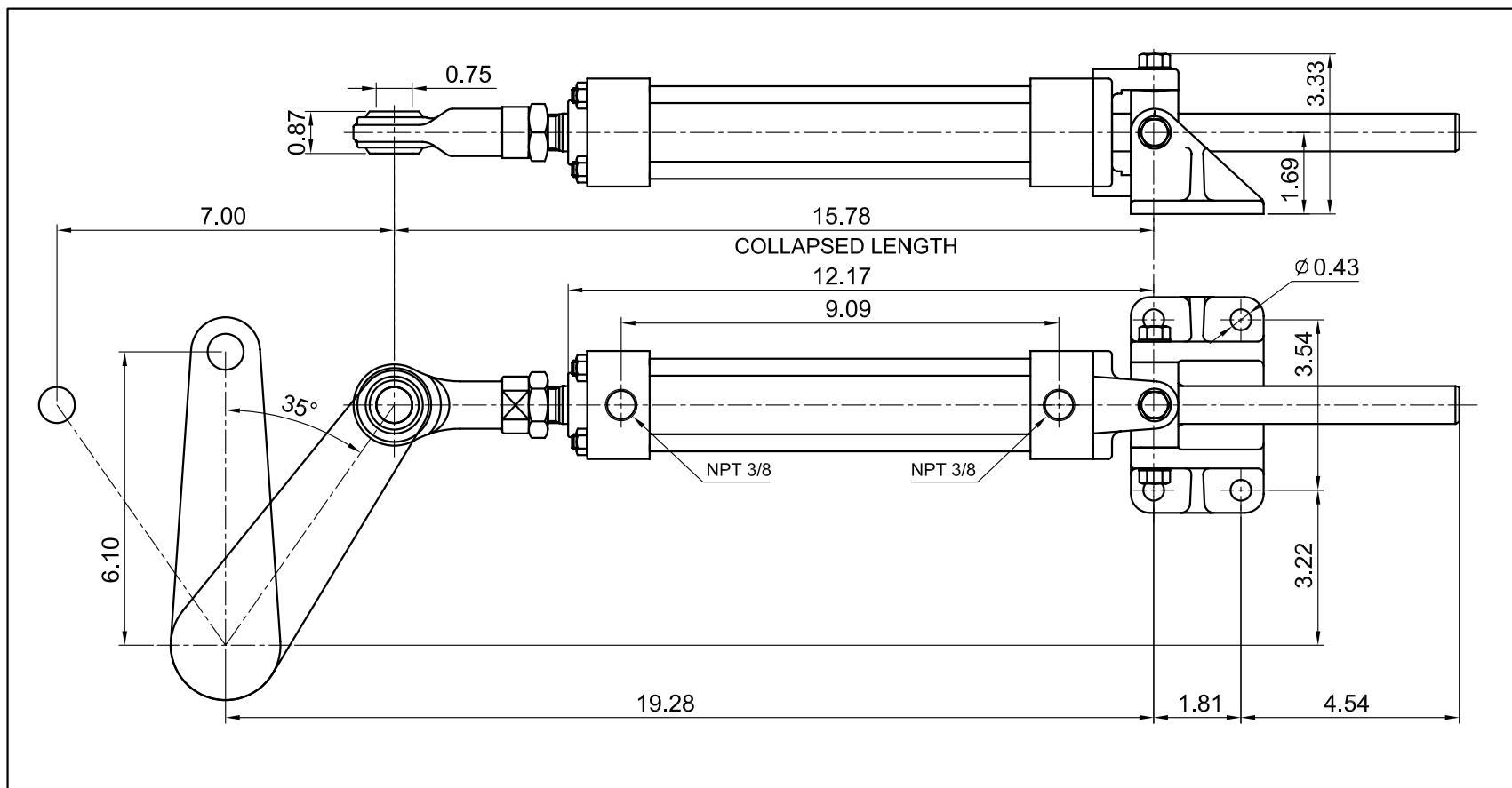


Model : HC150B-7					
Torque at 1000psi	84kg-m	606 lb.ft	Stroke	178mm	7 inch
Cylinder Bore	40mm	1 1/2 inch	Volume	168cc	10.2 cu.in
Shaft Diameter	20mm	3/4 inch	Shaft Connection	SS Ball Joint (3/4" Hole)	

Note: SS inserts available for 1/2" & 3/8" & 5/8" Bolts 



Model : HC150B-7 35°



Model : HC150B-7 45°

