



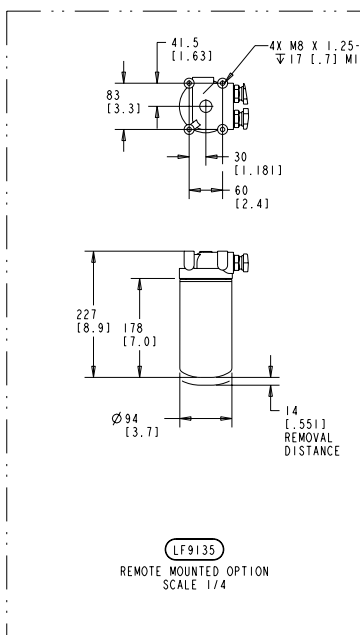
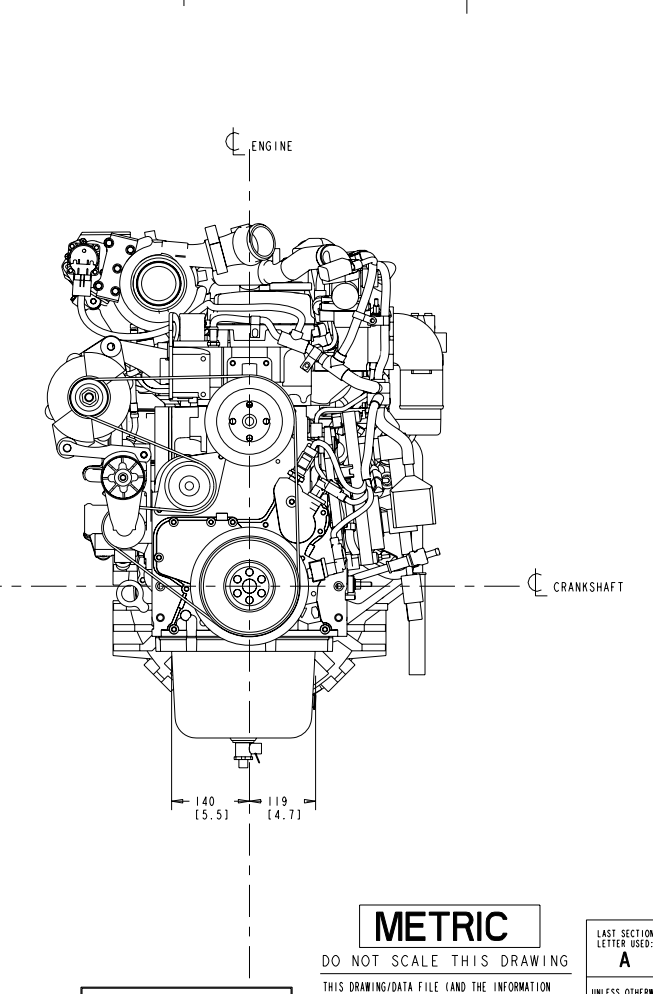
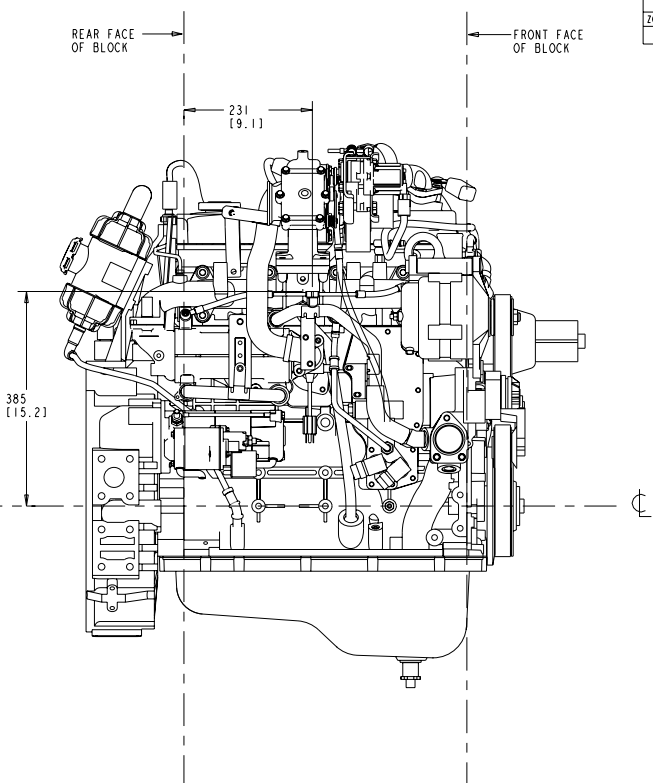
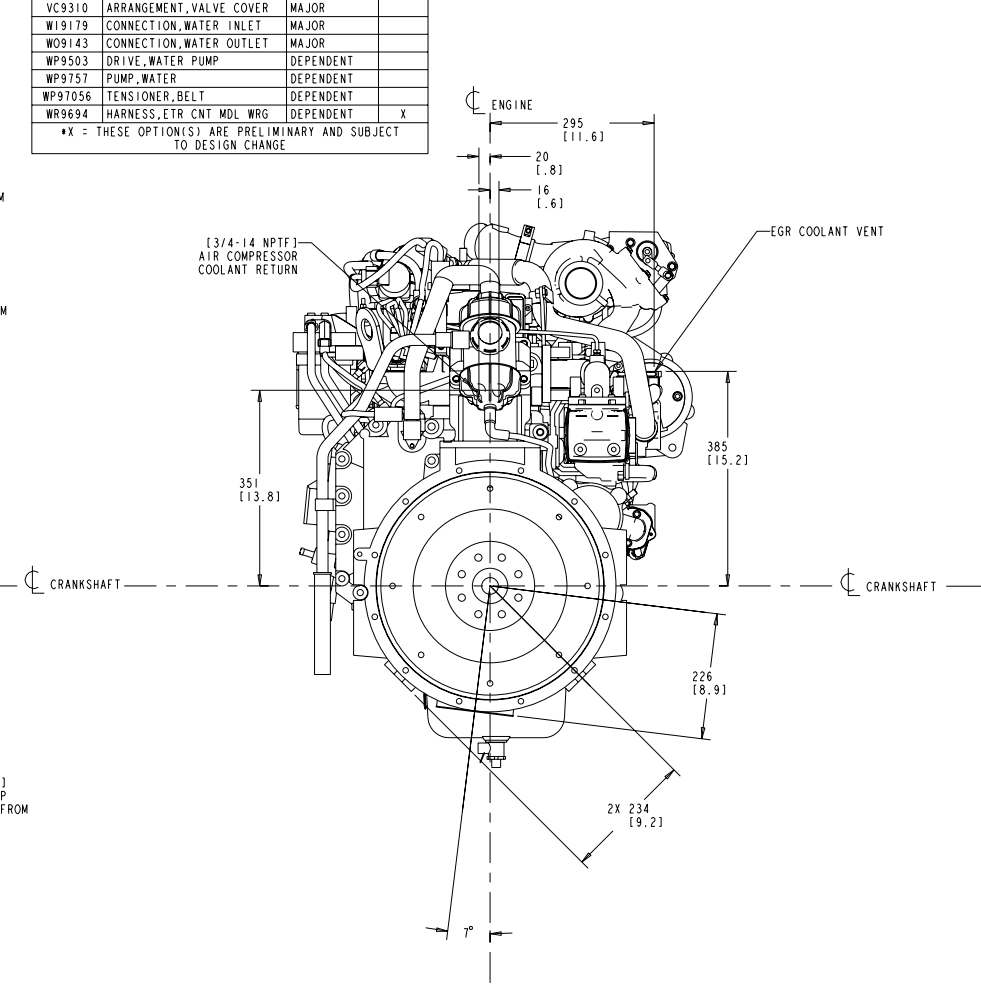
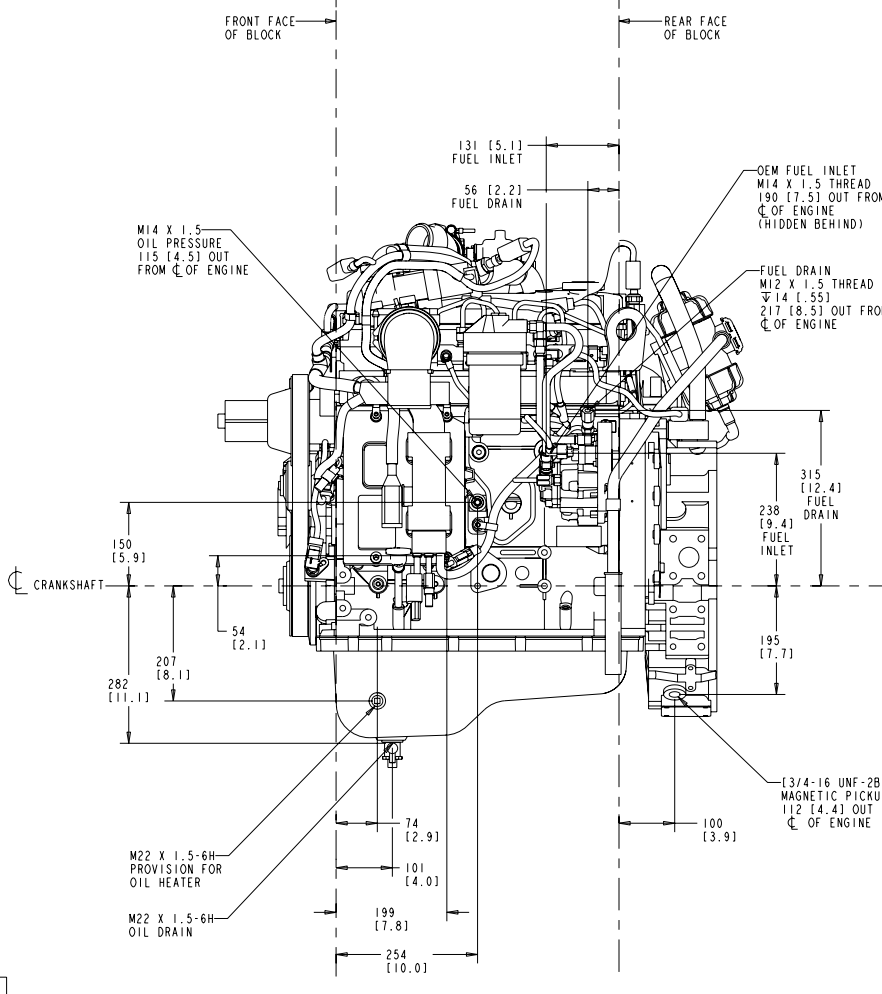
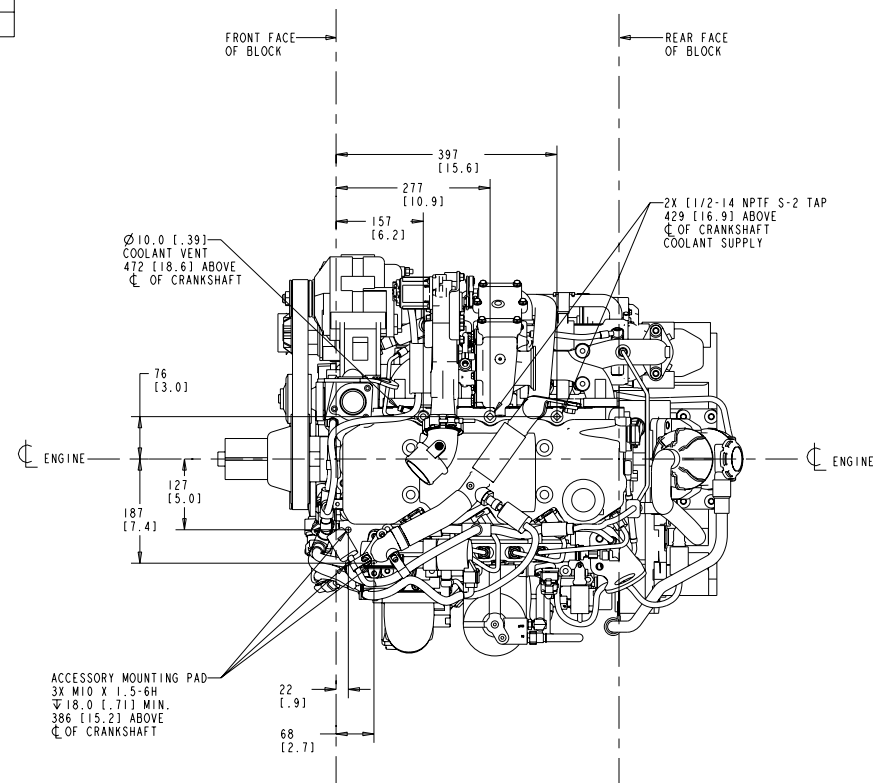
ITEM NUMBER  
4953923

REVISIONS		OWN	APP'D
ZONE	REV	DESCRIPTION	DATE
05	REQUEST	26618	

ITEM NO.	ITEM NAME	IDENTIFIER	PRELIM*
AH9251	AID, AIR HEATER STARTING	MAJOR	X
BB9134	HOUSING, REAR GEAR	DEPENDENT	
BB9396	BLOCK, CYLINDER	DEPENDENT	X
BR9403	BREATHER, CRANKCASE	MAJOR	X
BR9427	PLUMBING, CRC BREATHER	DEPENDENT	X
CH9130	AID, COO HEATER STARTING	MAJOR	
DA9182	DAMPER, VIBRATION	DEPENDENT	
DR9024	MOUNTING, REAR GER TRA ACC	DEPENDENT	
EE9244	ALTERNATOR	MAJOR	
EH9469	MOUNTING, ALTERNATOR	MAJOR	
ER9234	RECIRCULATION, EXHAUST	DEPENDENT	X
ER9236	PLUMBING, EXH RCN AIR	DEPENDENT	X
ER9237	PLUMBING, EXH RCN WATER	DEPENDENT	X
FA9342	DRIVE, FAN	MAJOR	
FD90030	PLUMBING, FUEL DRAIN	DEPENDENT	X
FF90394	LOCATION, FUEL FILTER	MAJOR	X
FF90339	PLUMBING, FUEL FILTER	DEPENDENT	X
FH9481	HOUSING, FLYWHEEL	MAJOR	
FP91352	PUMP, FUEL	DEPENDENT	
FT9454	PLUMBING, FUEL	DEPENDENT	X
FW9732	FLYWHEEL	MAJOR	
GG9836	COVER, FRONT GEAR	DEPENDENT	
HC9040	PLUMBING, CABIN HEATER	MAJOR	
IC9872	CONNECTION, AIR INTAKE	MAJOR	X
IM9217	MANIFOLD, AIR INTAKE	DEPENDENT	X
IT9159	CONNECTION, AIR TRANSFER	MAJOR	X
LA9110	ARRANGEMENT, LIFTING	MAJOR	
LC9396	COOLER, ENGINE OIL	DEPENDENT	X
LG90172	GAUGE, OIL LEVEL	MAJOR	
OB9169	ARRANGEMENT, OIL FILL	MAJOR	
OP9458	PAN, OIL	MAJOR	
PH9439	MODULE, ENGINE CONTROL	DEPENDENT	X
PP43670	PARTS, PERFORMANCE	DEPENDENT	X
PP90065	TURBOCHARGER	DEPENDENT	X
RD9028	DRAIN, REMOTE OIL	MAJOR	
RL9767	LEVER, ROCKER	DEPENDENT	
RP9210	VENT, ENGINE COOLANT	MAJOR	
SP9078	SPACER, FAN PILOT	MAJOR	
ST9487	MOTOR, STARTING	MAJOR	
TB92007	ARRANGEMENT, TURBOCHARGER	MAJOR	X
TK9036	COOLER, TOR CONVERTER OIL	MAJOR	
TP97648	PLUMBING, TURBOCHARGER	DEPENDENT	X
VC9310	ARRANGEMENT, VALVE COVER	MAJOR	
WI9179	CONNECTION, WATER INLET	MAJOR	
WO9143	CONNECTION, WATER OUTLET	MAJOR	
WP9503	DRIVE, WATER PUMP	DEPENDENT	
WP9757	PUMP, WATER	DEPENDENT	
WP97056	TENSIONER, BELT	DEPENDENT	
WR9694	HARNES, ETR CNT MDL WRG	DEPENDENT	X

REMOTE MOUNTED OPTION(S)			
ITEM NO.	ITEM NAME	IDENTIFIER	PRELIM*
LF9135	FILTER, FULL FLOW OIL	MAJOR	

\*X = THESE OPTION(S) ARE PRELIMINARY AND SUBJECT TO DESIGN CHANGE



GASKET THICKNESS USED IN THIS DRAWING IS UNCOMPRESSED IN ORDER TO CLAIM MAXIMUM SPACE AND REPRESENT A WORST CASE SITUATION.

CONFIGURATION NUMBER D323XXXXC03  
CUSTOMER PRICING SPEC. PRICXXXX  
AS OF XX/XX/XX

PRODUCT GRAPHICS FILE  
NO ORIGINAL DRAWING EXISTS FOR THIS ITEM. THE ENGINEERING GRAPHICS DATA FOR THIS ITEM RESIDES IN THE PRODUCT GRAPHICS FILE AND IS CONTROLLED BY THE AGENCY DESIGNATED AS HAVING ITEM CONTROL.

**METRIC**  
DO NOT SCALE THIS DRAWING

**PRELIMINARY UNCHECKED**

LAST SECTION LETTER USED: <b>A</b>	REF. DRAWING STANDARDS: ANSI Y14.5M ISO 81101	ITEM NAME <b>CUMMINS INC.</b>
UNLESS OTHERWISE SPECIFIED DIMENSIONS ARE IN: MILLIMETERS ( ) ARE IN: INCHES	IDENTIFIER <b>QSB4.5 TIER 4</b>	ITEM NUMBER <b>4953923</b>
DWN: MCS CHD: UNCHECKED APPD: D. HOWARTH	SIZE CODE (IDENT. NO.) <b>J</b>	SCALE: 1:1 & NOTED ITEM CONTROL: MCS SHEET 2 OF 2

