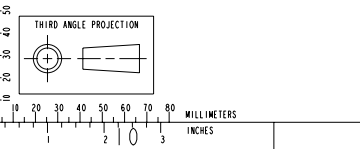
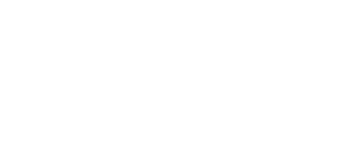
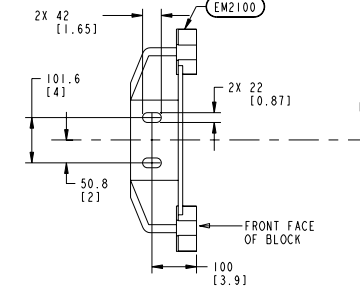


ITEM NUMBER
4953873

REVISIONS		OWN	APP'D
ZONE	REV	DESCRIPTION	WES
03	REQUEST 26607		WITTEKNSKI

TURBOCHARGER AIR OUTLET
(TO CHARGE AIR COOLER)
FOR 101.6 (4.00) I.D. HOSE
(THE POSITION OF THE OUTLET
MAY CHANGE BY ROTATING THE
TURBOCHARGER HOUSING TO FIT
DIFFERENT ANGLES PER OEM'S
INSTALLATION REQUIREMENTS)

COOLANT OUTLET
(TOP OF THERMOSTAT
HOUSING FLANGE)
684 (26.9) ABOVE
CL OF CRANKSHAFT



INCHES
MILLIMETERS

THIRD ANGLE PROJECTION

1 2 3 4 5 6 7 8 9 10 11 12

25 50 75 100 125 150 175 200 225 250 275 300 325 350 375 400 425 450 475 500 525 550 575 600 625 650 675 700 725 750 775 800 825 850 875 900 925 950 975 1000

DO NOT SCALE THIS DRAWING

THIS DRAWING/DATA FILE (AND THE INFORMATION SHOWN THEREON) IS CONFIDENTIAL AND PROPRIETARY AND SHALL NOT BE USED, DISCLOSED TO OTHERS, OR REPRODUCED BY ANY MEANS FOR ANY PURPOSE IN HARD COPY FORM OR IN MACHINE READABLE FILES, WITHOUT WRITTEN CONSENT OF CUMMINS INC., MARKETING CAD SERVICES DEPARTMENT.

GASKET THICKNESS USED IN THIS DRAWING IS UNCOMPRESSED IN ORDER TO CLAIM MAXIMUM SPACE AND REPRESENT A WORST CASE SITUATION.
CONFIGURATION NUMBER DOK3001BX03
CUSTOMER PRICING SPEC. PRIC5241
AS OF 04JAN11

PRODUCT GRAPHICS FILE
NO ORIGINAL DRAWING EXISTS FOR THIS ITEM. THE ENGINEERING GRAPHICS DATA FOR THIS ITEM RESIDES IN THE PRODUCT GRAPHICS FILE AND IS CONTROLLED BY THE AGENCY DESIGNATED AS HAVING ITEM CONTROL.

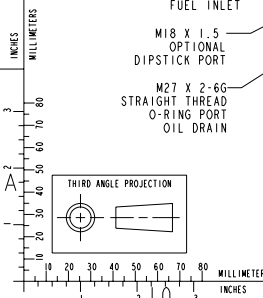
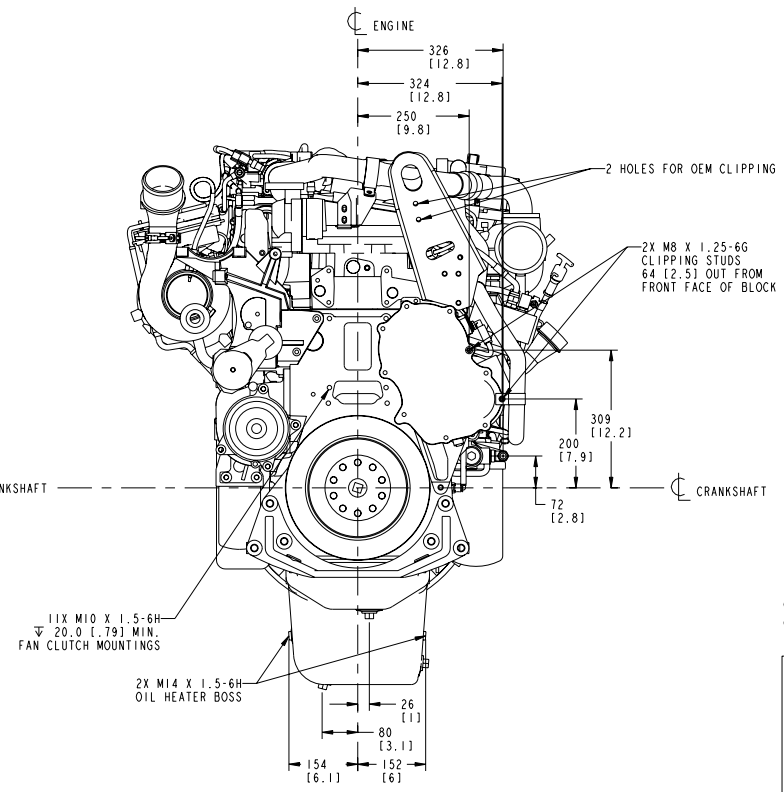
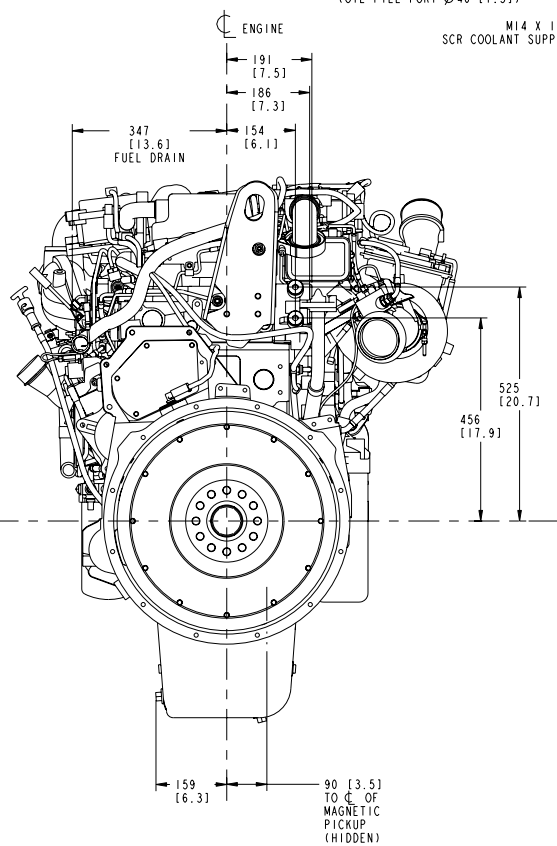
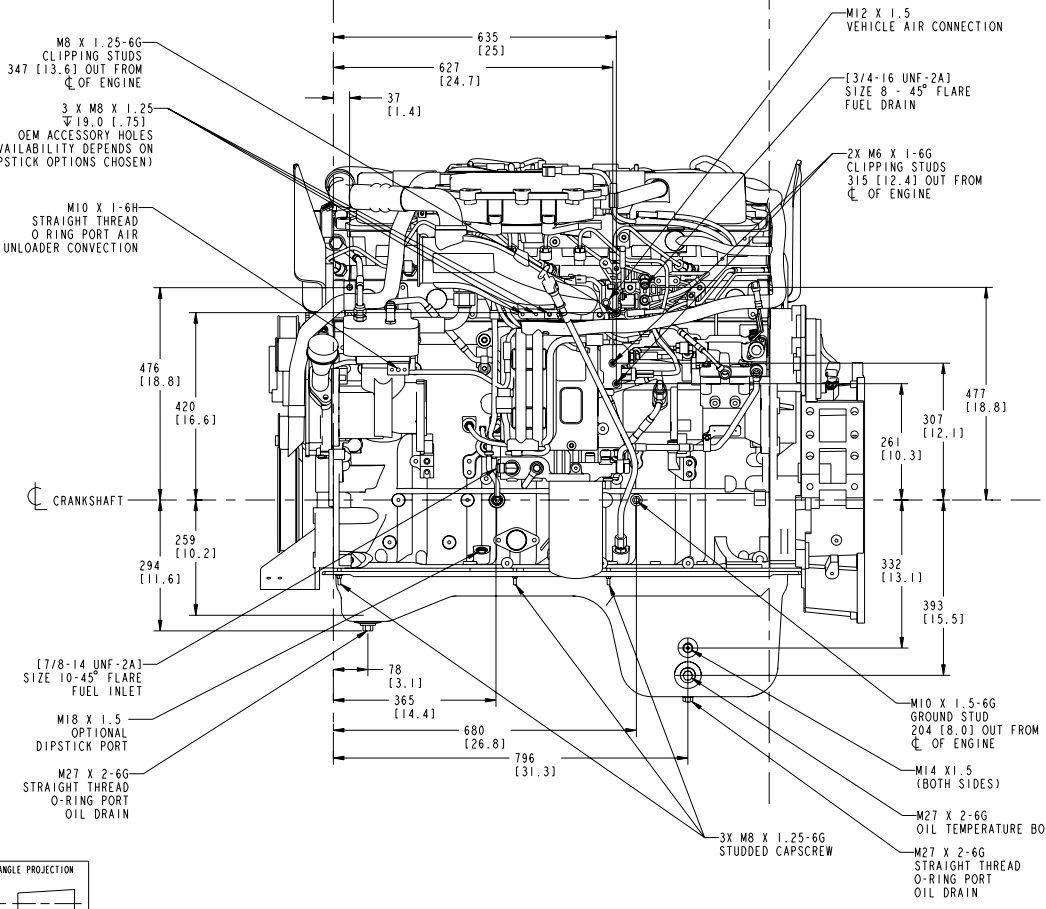
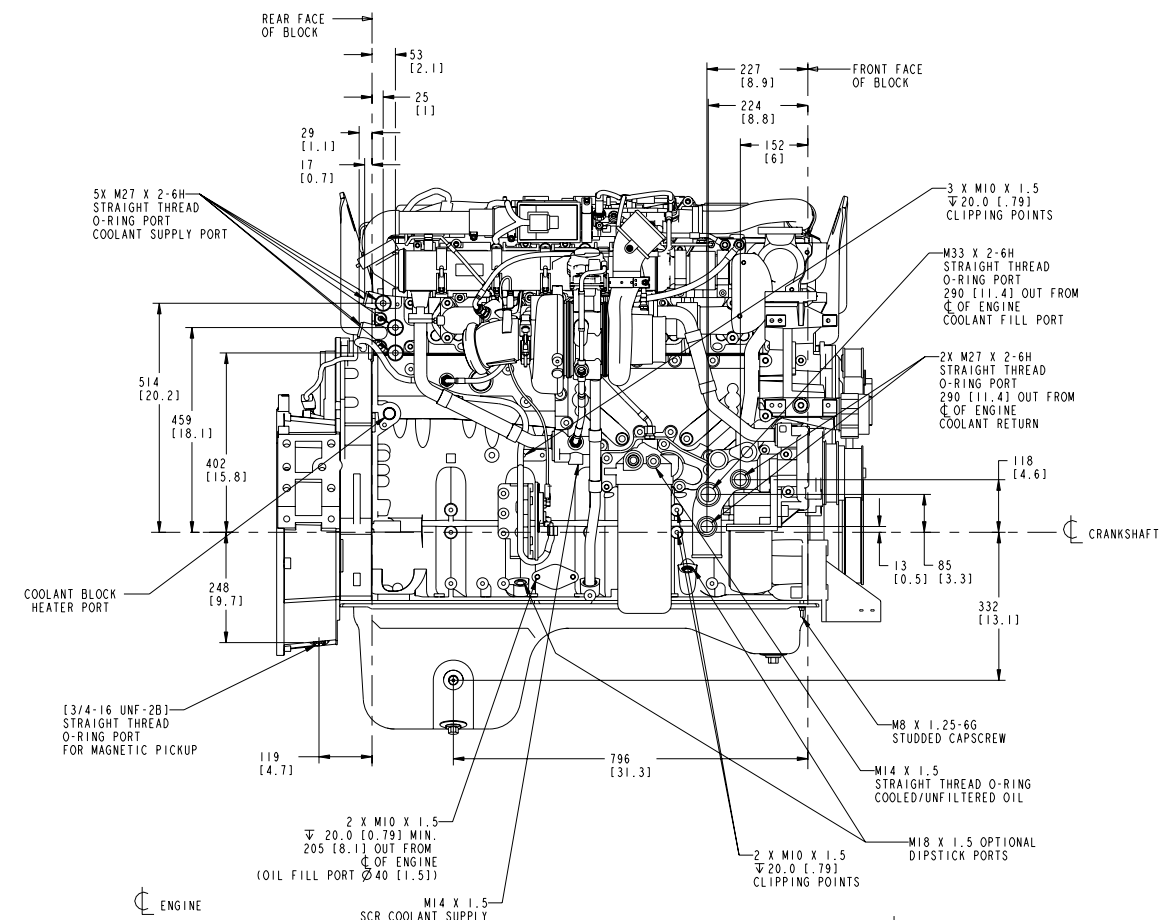
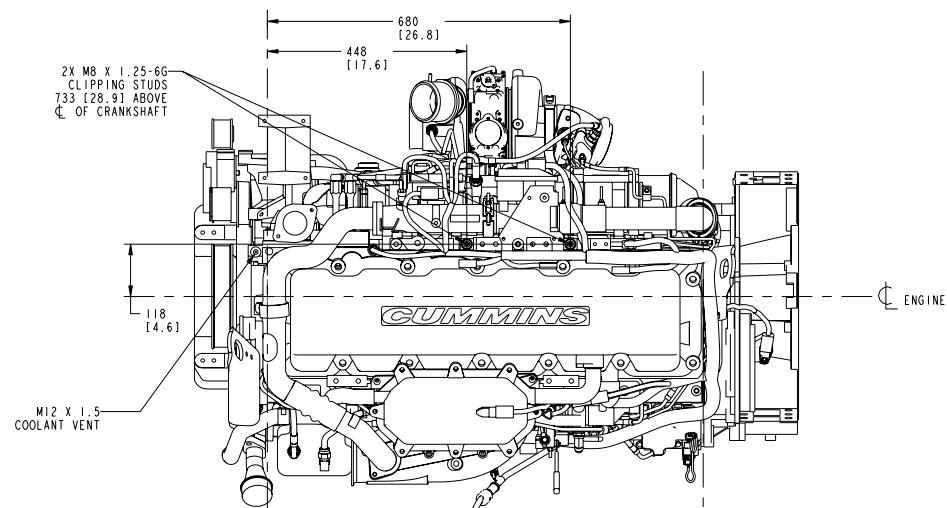
LAST SECTION LETTER USED: B	REF. DRAWING STANDARDS: ANSI Y14.5M ISO 81101	ITEM NAME ISX11.9 2010
UNLESS OTHERWISE SPECIFIED DIMENSIONS ARE IN: MILLIMETERS () ARE IN: INCHES	IDENTIFIER J	SIZE CODE (IDENT. NO.) ITEM NUMBER 4953873
OWN: MCS CHKD: UNCHECKED APPD: M.WITUSZINSKI APPD:	SCALE: 1:15 & NOTED	ITEM CONTROL: MCS SHEET 1 OF 2

ITEM NUMBER
4953873

REVISIONS		OWN	APP'D
ZONE REV	DESCRIPTION	DATE	BY
03	REQUEST 26607		

ITEM NO.	ITEM NAME	IDENTIFIER	PRELIM
BB2819	BLOCK, CYLINDER	DEPENDENT	
BB2835	HOUSING, FRONT GEAR	DEPENDENT	
BB2836	HOUSING, REAR GEAR	DEPENDENT	
BR2077	BREATHER, CRANKCASE	MAJOR	
CI2735	ARRANGEMENT, CPR AIR INLET	DEPENDENT	
CP2131	COMPRESSOR, AIR	MAJOR	
DA2133	DAMPER, VIBRATION	MAJOR	
EH2209	MOUNTING, ALTERNATOR	MAJOR	
EM2100	SUPPORT, FRONT ENGINE	MAJOR	
ER2719	RECIRCULATION, EXHAUST	DEPENDENT	
FA2300	DRIVE, FAN	MAJOR	
FD2704	PLUMBING, FUEL DRAIN	DEPENDENT	
FF2291	FILTER, FUEL	MAJOR	
FH2337	HOUSING, FLYWHEEL	MAJOR	
FP2976	PUMP, FUEL	DEPENDENT	
FW2317	FLYWHEEL	MAJOR	
HC2008	PLUMBING, CAB HEATER	MAJOR	
IC2101	LOCATION, AIR INT CNV	MAJOR	
IT2020	CONNECTION, AIR TRANSFER	MAJOR	
LA2090	ARRANGEMENT, LIFTING	MAJOR	
LC2773	COOLER, ENGINE OIL	DEPENDENT	
LF2084	FILTER, FULL FLOW OIL	MAJOR	
LG2164	GAUGE, OIL LEVEL	MAJOR	
OB2569	ARRANGEMENT, OIL FILL	MAJOR	
OP2174	PAN, OIL	MAJOR	
PE2721	DOSER, FLUID	DEPENDENT	
PH2864	MODULE, ENGINE CONTROL	DEPENDENT	
PP20102	PLUMBING, INJECTOR	DEPENDENT	
PP20113	TURBOCHARGER	DEPENDENT	
PP43438	PARTS, PERFORMANCE	DEPENDENT	
RL2732	LEVER, ROCKER	DEPENDENT	
TB2363	ARRANGEMENT, TURBOCHARGER	MAJOR	
TH2768	HOUSING, THERMOSTAT	DEPENDENT	
TP2859	PLUMBING, TURBOCHARGER	DEPENDENT	
VC2124	COVER, VALVE	MAJOR	
WF2110	RESISTOR, CORROSION	MAJOR	
WP2007	CONNECTION, WATER INLET	MAJOR	
WP2751	PUMP, WATER	DEPENDENT	
WR2792	ACCESSORIES, WIRING	DEPENDENT	

* X = THESE OPTION(S) ARE PRELIMINARY AND SUBJECT TO DESIGN CHANGE



DO NOT SCALE THIS DRAWING

THIS DRAWING/DATA FILE (AND THE INFORMATION SHOWN THEREON) IS CONFIDENTIAL AND PROPRIETARY AND SHALL NOT BE USED, DISCLOSED TO OTHERS, OR REPRODUCED BY ANY MEANS FOR ANY PURPOSE WITHOUT WRITTEN CONSENT OF CUMMINS INC., MARKETING CAD SERVICES DEPARTMENT.

GASKET THICKNESS USED IN THIS DRAWING IS UNCOMPRESSED IN ORDER TO CLAIM MAXIMUM SPACE AND REPRESENT A WORST CASE SITUATION.

CONFIGURATION NUMBER DOK3001BX03

CUSTOMER PRICING SPEC. PRIC5241

AS OF 07AUG08

PRODUCT GRAPHICS FILE

NO ORIGINAL DRAWING EXISTS FOR THIS ITEM. THE ENGINEERING GRAPHICS DATA FOR THIS ITEM RESIDES IN THE PRODUCT GRAPHICS FILE AND IS CONTROLLED BY THE AGENCY DESIGNATED AS HAVING ITEM CONTROL.

LAST SECTION LETTER USED: B	REF. DRAWING STANDARDS: ANSI Y14.5M ISO 81101	ITEM NAME CUMMINS INC.
UNLESS OTHERWISE SPECIFIED DIMENSIONS ARE IN: MILLIMETERS () ARE IN: INCHES	IDENTIFIER ISX11.9 2010	ITEM NUMBER 4953873
OWN: MCS CHKD: UNCHECKED APPD: M.WITUSZINSKI	SIZE CODE IDENT. NO.: J	SCALE: 1:15 & NOTED ITEM CONTROL: MCS
SHEET 2 OF 2		