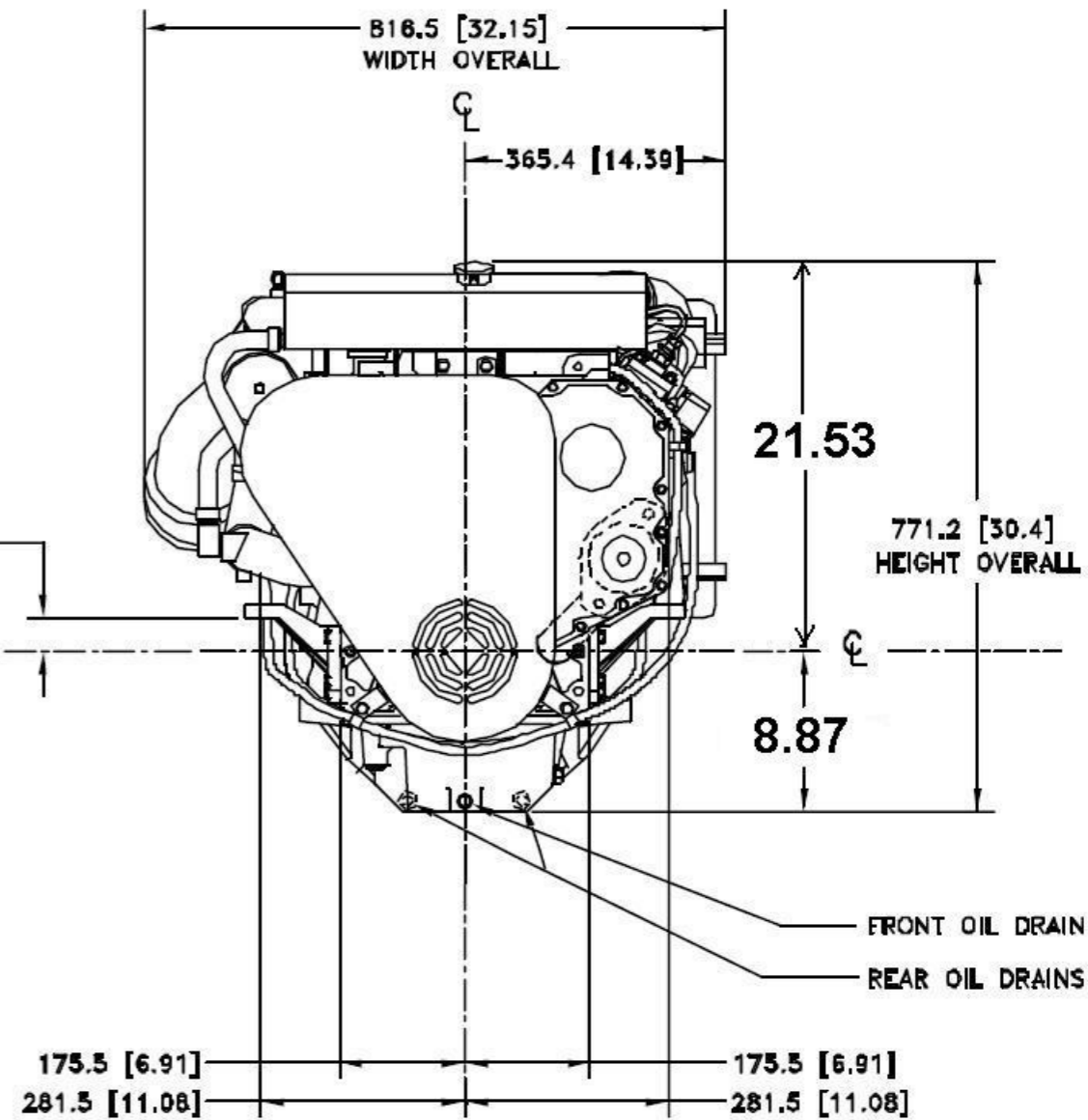
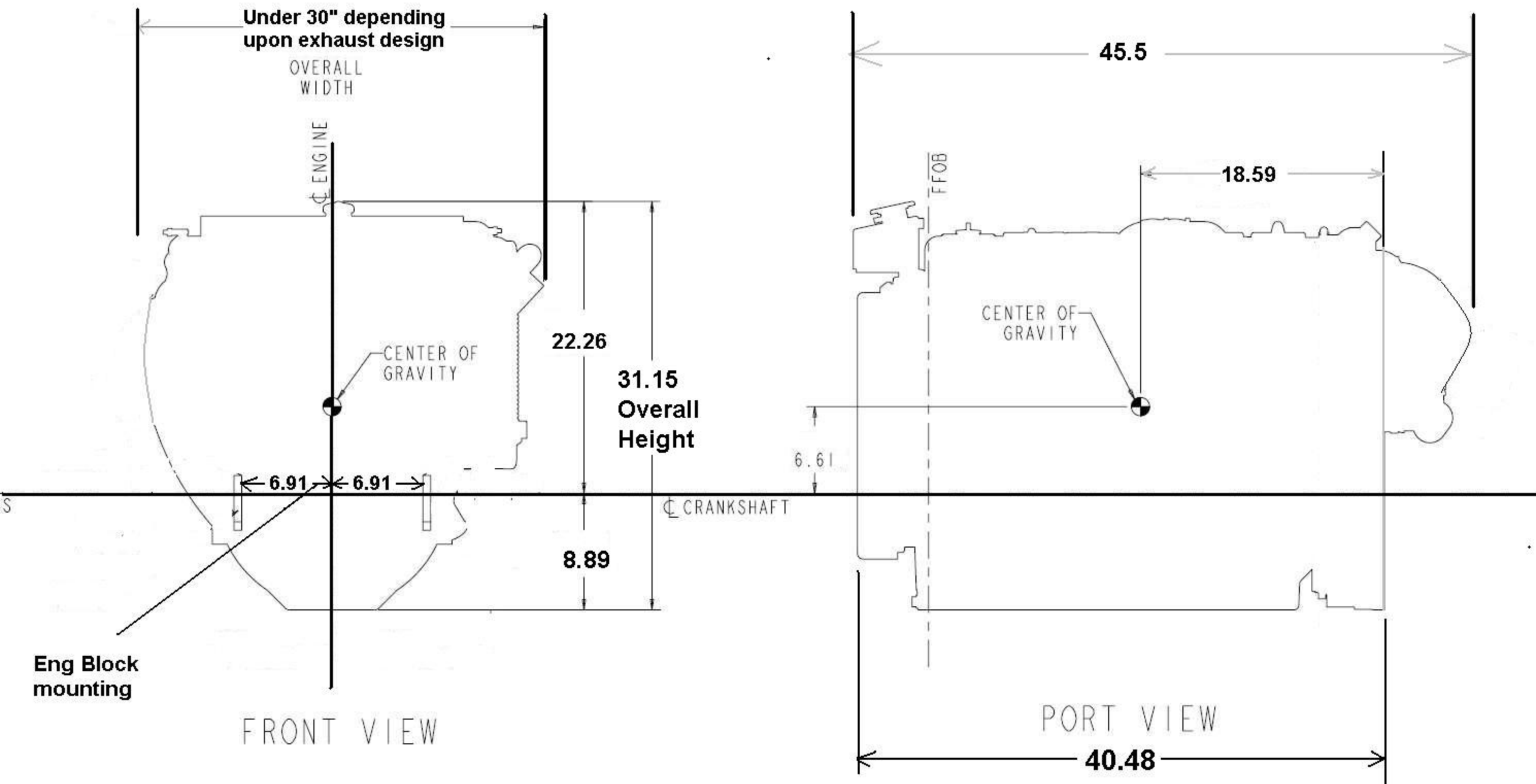


**Note: Dimensions taken from early 6BTA Drawings**

FRONT 47 [1.85]  
MOUNT



ENGINE FRONT VIEW



**Approx-- Critical dimensions 6BTA 5.9**